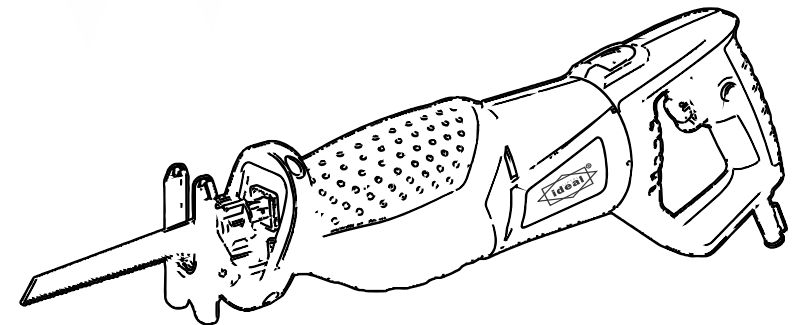




# RECIPROCATING SAW

Original Operating Instructions

## ID RS30



To reduce the risk of injury, the user must read and understand the Operator's Manual before using this product. Save these instructions for future reference.

10. **KEEP GUARDS IN PLACE AND IN WORKING ORDER.**

11. **AVOID ACCIDENTAL START-UPS.** Make sure the power switch is in the OFF position before plugging in the power cable.
12. **REMOVE ADJUSTMENT TOOLS.** Always make sure all adjustment tools are removed from the saw before turning it on.
13. **NEVER LEAVE A RUNNING TOOL UNATTENDED.** Turn the power switch to OFF. Do not leave the tool until it has come to a complete stop.
14. **NEVER STAND ON A TOOL.** Serious injury could result if the tool tips or is accidentally hit. **DO NOT** store anything above or near the tool.
15. **DO NOT OVERREACH.** Keep proper footing and balance at all times. Wear oil-resistant rubber-soled footwear. Keep the floor clear of oil, scrap, and other debris.
16. **MAINTAIN TOOLS PROPERLY. ALWAYS** keep tools clean and in good working order. Follow instructions for lubricating and changing accessories.
17. **CHECK FOR DAMAGED PARTS.** Check for alignment of moving parts, jamming, breakage, improper mounting, or any other conditions that may affect the tool's operation. Any part that is damaged should be properly repaired or replaced before use.
18. **MAKE THE WORKSHOP CHILDPROOF.** Use padlocks and master switches and **ALWAYS** remove starter keys.
19. **DO NOT** operate the tool if you are under the influence of drugs, alcohol, or medication that may affect your ability to properly use the tool.
20. **WEAR CE APPROVED SAFETY GOGGLES AT ALL TIMES** while operating the tool. Normal safety glasses only have impact resistant lenses and are not designed for safety. Wear a CE approved dust mask when working in a dusty environment. Use CE approved ear protection such as plugs or defenders during extended periods of operation and wear CE approved gloves especially when changing the blades.

**WARNING! Read all safety warnings and all instructions.** Failure to follow the warnings and instructions may result in electric shock, fire and/or serious injury.

**Save all warnings and instructions for future reference.** The term "power tool" in the warnings refers to your mains operated (corded) power tool or battery-operated (cordless) power tool.

**1. Workplace**

- a) Keep your workplace clean and tidy. Messy and/or poorly lit workplaces can cause accidents.
- b) Do not operate the power tool in explosive environments where flammable liquids, fumes or dust are present. Power tools produce sparks which can ignite dust or fumes.
- c) Distractions may lead to loss of control over the power tool.

## SPECIFICATIONS

|                      |                        |
|----------------------|------------------------|
| Model No.            | ID RS30                |
| Voltage/Frequency    | 220-240V~50Hz          |
| Rated Power          | 1100W                  |
| Rated Speed          | 0-2,800rpm             |
| Stroke               | 28mm                   |
| Max Cutting Capacity | Wood:115mm, Metal:15mm |

## GENERAL SAFETY RULES

Safety is a combination of common sense, staying alert and knowing how your item works. **SAVE THESE SAFETY INSTRUCTIONS.**

**WARNING:** To avoid mistakes and serious injury, do not plug in your tool to the mains power until the following steps have been read and understood. Always ensure the plug is removed from the mains socket while changing blades, cleaning or performing maintenance tasks.

- 1. **READ** and become familiar with this entire instruction manual. **LEARN** the tool's applications, limitations, and possible hazards.
- 2. **AVOID DANGEROUS CONDITIONS.** Do not use power tools in wet or damp areas or expose them to rain. Keep work areas well lit.
- 3. **DO NOT** use power tools in the presence of flammable liquids or gases.
- 4. **ALWAYS** keep your work area clean, uncluttered, and well lit. **DO NOT** work on floor surfaces that are slippery with sawdust or wax.
- 5. **KEEP BYSTANDERS AT A SAFE DISTANCE** from the work area, especially when the tool is operating. **NEVER** allow children or pets near the tool and always store out of reach of children.
- 6. **DO NOT FORCE THE TOOL** to do a job for which it was not designed.
- 7. **DRESS FOR SAFETY.** Do not wear loose clothing, gloves, neckties, or jewelry (rings, watches, etc.) when operating the tool. Inappropriate clothing and items can get caught in moving parts and draw you in. **ALWAYS** wear non-slip footwear and tie back long hair.
- 8. **WEAR A CE APPROVED DUST MASK** to protect against the dust produced by sawing.

**WARNING:** Dust generated from certain materials can be hazardous to your health. Always operate the tool in a well-ventilated area and provide for proper dust removal. Use dust collection systems whenever possible.

- 9. **ALWAYS** remove the power cable plug from the electrical outlet when making adjustments, changing parts, cleaning, or working on the tool.

connected to a rotating part of the power tool can lead to injuries.

Do not over-reach. Maintain a stable posture and keep your balance. This can improve your control over the power tool in unexpected situations.

Wear appropriate clothing. Do not wear loose fitting clothes or jewellery. Keep hair, clothing, and gloves away from moving parts. Loose fitting clothes, jewellery or long hair can be caught up in moving parts.

If dust extraction or collection power tools can be fitted, ensure these are connected and correctly operated. Using these power tools reduces the danger posed by dust.

### **Correct handling and operation of power tools**

Do not overload the power tool. Use the appropriate power tool for the job. You can work more safely and effectively using the appropriate power tool within the range of its capacity.

Do not use power tools with defective power switches. A power tool which can no longer be switched on and off is dangerous and must be repaired.

Disconnect the charger from the mains before carrying out adjustments, changing power tools or accessories and putting the power tool away. This precautionary measure prevents unintentional starting.

Store power tools out of the reach of children when not in use. Do not allow persons who are unfamiliar with the power tool or have not read these instructions to use the power tool.

Maintain the power tool with care. Ensure the moving parts function correctly and do not stick. Check whether parts are broken or so badly damaged that the power tool's functions are impaired. Have damaged parts repaired before operating the power tool. Many accidents are caused by badly maintained power tools.

Keep cutting tools sharp and clean. Correctly maintained cutting tools with sharp edges are less likely to stick and are easier to use.

### **Service**

Have the power tool repaired by qualified personnel. Ensure original replacement parts are used. This ensures continued safe operation of the power tool.

### **Additional safety instructions**

CAUTION: The use of accessories or attachments other than those recommended in this manual can lead to injury.

Maintain all protective power tools in good working order. Do not remove the protective power tools.

Noise. It is recommended to wear ear protection when operating motor powered power tools.

d) Outdoor mains outlets must, according to our regulations, be equipped with a residual-current-operated protection power tool (RCD). Please observe this when operating our power tools.

e) Damaged parts or safety mechanisms must be replaced or repaired by an authorised workshop, if not stated differently in the operating instructions.

d) Pay attention to environmental influences.

e) Ensure your workplace is well lit.

### **2. Electrical Safety**

a) The mains plug must fit the socket. The plug may not be modified in any way. Do not use adaptors with earthed equipment. Unmodified plugs and appropriate sockets reduce the risk of electric shock.

b) Avoid bodily contact with earthed objects (such as pipes, radiators, ovens and refrigerators). There is an increased risk of electric shock when your body is earthed.

c) Keep the power tool out of rain and wet environments. Water in the power tool increases the risk of electric shock.

d) Do not use the mains cable for purposes for which it is not intended, such as carrying or hanging up the power tool and do not pull the cable to disconnect the tool or the charger from the mains. Protect the cable from heat, oil, sharp edges and moving parts. Damaged or twisted cables increase the risk of electric shock. Damaged mains cables must be replaced using original replacement parts available from the manufacturer or an authorised service centre. Mains cables may only be replaced by the manufacturer, an authorised service centre or qualified person.

e) Check extension cables regularly for signs of damage. Damaged extension cables must be replaced. Cable reels should only be used when fully unwound.

### **Safety Message**

Your safety and the safety of others are very important. We have provided important safety messages in this manual and on the Power Tool. Please read these messages carefully.

### **Important Safety Information**

Please read these instructions carefully before using this Power Tool. Keep this manual in a safe place for future reference.

### **Personal Safety**

Be attentive, concentrate on the job and use common sense when working with power tools. Do not operate the power tool when you are tired or under the influence of drugs, alcohol or medication. A moment of carelessness when using the power tool can lead to serious injury.

Wear personal protective equipment and always use safety goggles. Wearing personal protective equipment appropriate to the type of power tool and the application (such as a dust mask, non-slip footwear, a safety helmet, safety goggles or ear protection), reduces the risk of injury.

Avoid unintentionally starting the power tool. Ensure that the power switch is in the 'OFF' position before connecting the power tool to the mains. Carrying the power tool with your finger on the trigger or connecting the power tool to mains when switched on can lead to accidents.

Remove any adjusting tools or keys before turning the power tool on. A tool or key

properly installed before operation.

15. Develop a periodic maintenance schedule for your tool. When cleaning a tool be careful not to disassemble any portion of the tool. Internal wires may be misplaced, or pinched and safety guard return springs may be improperly mounted.
16. Certain cleaning agents such as petrol, carbon tetrachloride, ammonia, etc. may damage plastic parts.
17. Only use undamaged saw blades. If too much wear and tear is shown on the blade, get a new blade before trying to cut anything.
18. Never stop the saw blade by pinching the blade on either side. Applying pressure to either side of the blade could result in injury. Do not touch the saw blade after operation, as it may be hot, especially when cutting metal.

## ELECTRICAL INFORMATION

### EARTHING INSTRUCTIONS

**IN THE EVENT OF A MALFUNCTION OR BREAKDOWN**, earthing provides the path of least resistance for an electric current and reduces the risk of electric shock. This tool is equipped with an electric cable that has an equipment earthing conductor and a earthing plug. The plug **MUST** be plugged into a matching outlet that is properly installed and earthed in accordance with ALL local codes and ordinances.

**DO NOT MODIFY THE PLUG PROVIDED.** If it will not fit the outlet, have the proper outlet installed by a licensed electrician.

**IMPROPER CONNECTION** of the equipment earthing conductor can result in electric shock. The conductor with the green insulation (with or without yellow stripes) is the equipment earthing conductor. If repair or replacement of the electric cable or plug is necessary, **DO NOT** connect the equipment earthing conductor to a live terminal.

**CHECK** with a licensed electrician or the authorized workshop, contact UKHS.tv on 0330 123 0001 if you do not completely understand the earthing instructions.

**CAUTION:** In all cases, make certain the outlet in question is properly earthed. If you are not sure, have a licensed electrician check the outlet.

## SPECIFIC RULES FOR RECIPROCATING SAWS

**WARNING:** Do not operate this tool until it is completely assembled according to the instructions.

1. Wait for the blade to stop before setting the tool down. An exposed rotating cutter may engage the surface, leading to possible loss of control and serious injury.
2. Hold the power tool by insulated gripping surfaces only in case the cutter contacts its own cable. Cutting a "live" wire may make exposed metal parts of the tool "live" and could give the operator an electric shock.
3. Secure the workpiece to a stable platform using clamps or another practical method. Holding the work by hand or against the body leaves it unstable and may lead to a loss of control.
4. Secure the material being cut. Never hold it in your hand or across your legs. Small workpieces must be adequately secured. Unstable support causes the blades to bind, resulting in a loss of control and possible injury.
5. Always start the saw before the blade is in contact with the workpiece. Let the blade reach full speed before using the tool. The saw can vibrate or chatter and possibly kickback if the cutting speed is too slow.
6. Check the workpiece for nails. If there are nails, remove them. If the saw blades strike objects like nails it may cause serious personal injury from kickback.
7. Unplug the saw before changing accessories. Accidental start-ups may occur if the saw is plugged in during an accessory change. Before plugging the tool back in, check that the trigger lock is OFF.
8. Keep handles and hands dry, clean and free from oil and grease. Slippery surfaces cannot safely maintain control of the power tool. Always hold the tool firmly with both hands for maximum control.
9. Never cut pressurized tanks or any containers containing hazardous or flammable materials.
10. Never pull the saw backwards over the workpiece.
11. When sawing, the adjustable footplate must always stay flush against the workpiece. NEVER remove the blade from the workpiece until it has come to a complete stop. Taking the tool away from the workpiece with the blade still moving is dangerous and can result in injury as the blade may shatter if it strikes the workpiece. Always wait until the blade has come to a complete stop before removing it from the workpiece.
12. Remove the plug from power source before removing debris. The blades are hidden from view and you may be cut if the blade is contacted.
13. Always wear appropriate CE approved personal protective equipment (PPE).
14. Loose or misaligned blades have the potential to strike tool housing and damage the tool as well as cause possible injury. Make sure blades are

## OPERATION

**WARNING:** Dusts from certain materials can be harmful to your respiratory health. Always use this tool in an area with good ventilation. Wear a CE approved dust mask during operation to prevent inhalation of unwanted particulates. Prevent dust accumulation, as piles of dust and debris can easily ignite and cause a fire.

### ADJUSTING THE FOOTPLATE

1. Loosen the footplate adjustment screw found on the underbelly of the saw using the onboard hex wrench.
2. Once the screw is loose, position the footplate to meet the needs of your workpiece.
3. Retighten the footplate adjustment screw, making sure that the footplate is no longer free to move.

### STARTING THE MACHINE

To start the machine, first make sure the blade has been properly installed. After checking the blade, plug the machine into a power source.

Pull the trigger switch to power the machine on. Always keep one hand on the back handle and one hand on the insulated body during operation, making sure all body parts and cables are not in contact. If you would like to keep the saw running without needing to constantly be holding down the trigger, press the lock-on switch while the saw is running.

This will keep the trigger engaged until you press on the trigger again to release it.

### VARIABLE PRESSURE TRIGGER

Control the strokes per minute of the saw by varying the amount of pressure applied to the trigger. Holding the trigger all the way down will result in Max speed. Lighter pressure on the ON/OFF trigger will result in a lower speed.

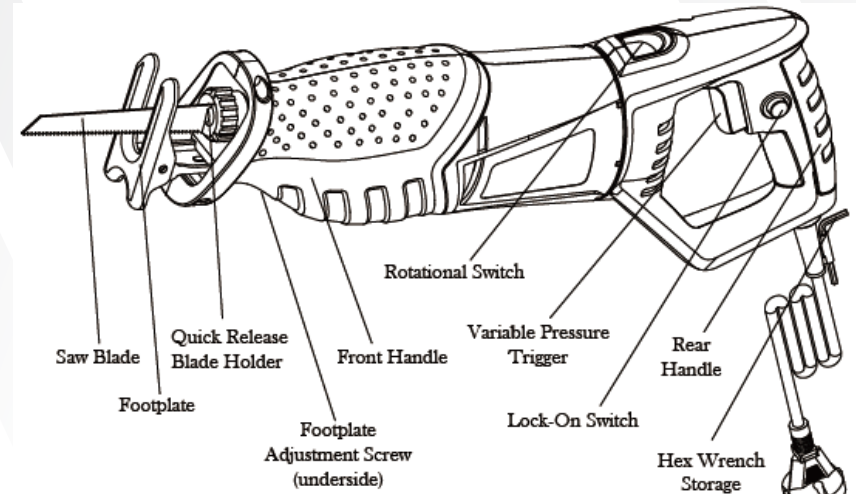
### WORK ADVICE

**NOTE:** When sawing lighter materials, make sure to keep in mind the recommendations of the material suppliers.

Check all workpieces for foreign objects such as nails or screws before sawing. Adjust the footplate to meet the particular idiosyncrasies of the workpiece at hand.

Once all set-up has been completed, power on the machine and guide it towards the workpiece. Place the faceplate against the surface and saw through the material by applying uniform pressure. Do not force the saw to do a job for which it wasn't intended. Make sure to let the saw work at its own pace.

## KNOW YOUR RECIPROCATING SAW

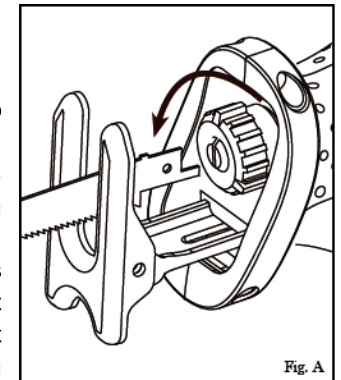


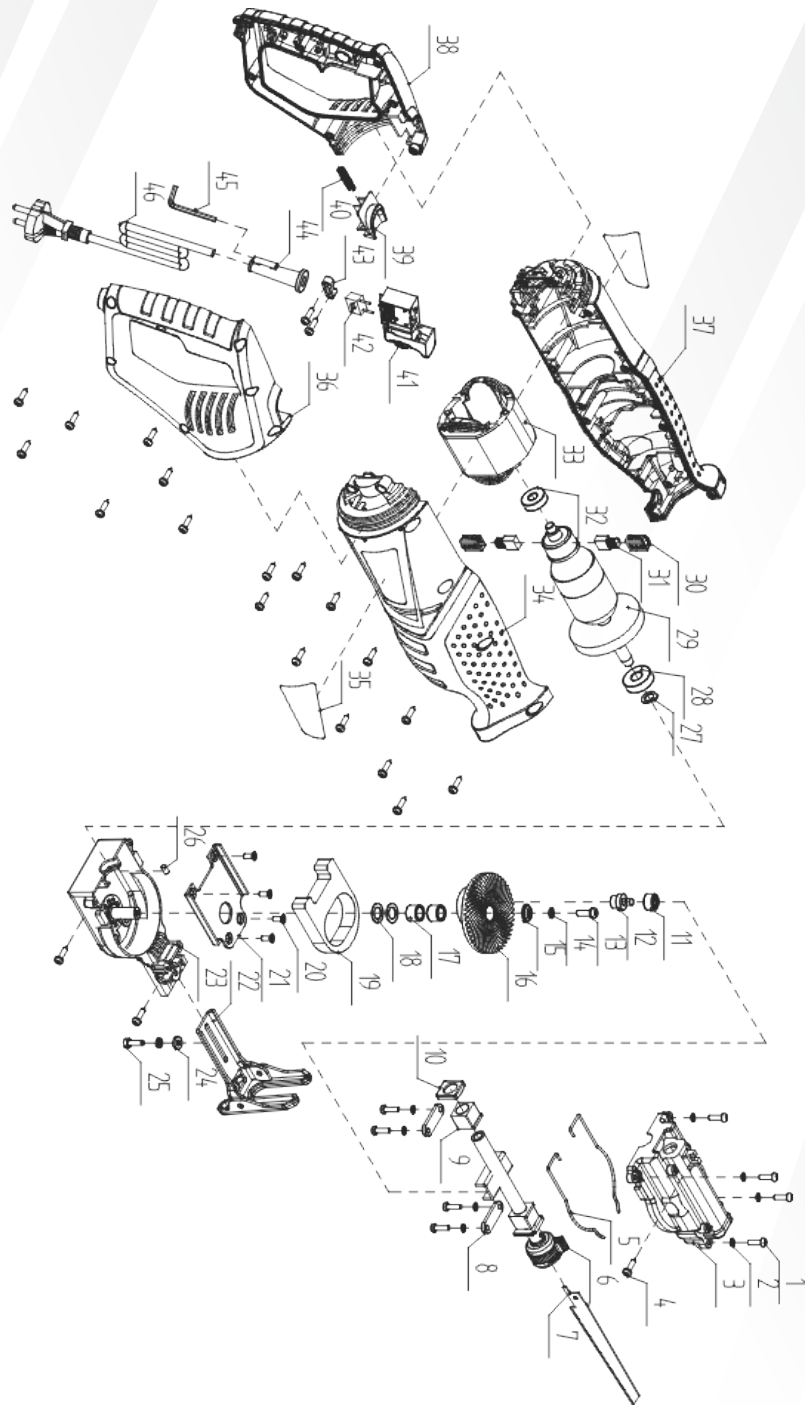
## ASSEMBLY

**WARNING!** Never make any adjustments or blade installations while the machine is plugged in. Make sure that saw blades are free of debris. Use CE approved protective gloves during operation and assembly.

### REPLACING/INSTALLING SAW BLADES

1. Select a saw blade with a universal shank. If narrow curve cuts are required, a thinner blade would be preferable. Saw blades should never be longer than is required for the intended cut.
2. Twist the quick release blade holder in the direction shown in Fig. A to open up the jaws and allow room for sliding in a blade.
3. Place the shank of the blade into the jaws as far as it can go. Release the blade holder, allowing it to snap back in position.
4. Check the blade's security by tugging lightly to confirm that it has locked into position.
5. If you are changing a saw blade, always make sure that it has cooled down completely before attempting to remove it. Friction from various workpiece materials can cause the blades to get very hot directly after operation. To remove, twist the blade holder in the direction





If the saw blade jams up, turn the machine off immediately and let the blade come to a complete stop. Unplug the machine. Widen the gap with a suitable tool and release the blade of the saw from its jam.

When sawing metal, always make sure to use a coolant or lubricant to prevent the material from heating up too much.

**FLUSH CUTS:** Using flexible bimetal saw blades, you can cut off items still attached flush at the wall. Place the saw blade directly against the wall and apply lateral pressure until the footplate faces the wall. Turn the machine on and saw through the workpiece.

**PLUNGE CUTS:** Always use short saw blades for plunge cutting to prevent injury and to maximize efficiency. Put the machine with the edge of the footplate onto the workpiece. Power the machine on to the maximum SPM. Press the blade firmly against the workpiece, allowing the blade to cut at its own pace, plunging itself into the workpiece. As soon as the footplate is able to lay flush against the workpiece, saw along the desired line.

## MAINTENANCE

**WARNING:** To avoid accidents, always disconnect the tool from the power supply before cleaning or performing any maintenance. The tool may be cleaned most effectively with compressed dry air. Always wear CE approved safety goggles when cleaning tools with compressed air.

Regularly clean the saw blade holder with compressed air or a brush. Remove the saw blade from the power tool before cleaning the blade holder.

**SERVICE:** Preventive maintenance performed by unauthorized personnel may result in misplacing of internal wires and components, possibly causing a serious hazard.

**TOOL LUBRICATION:** For proper operation, make sure to routinely apply an appropriate lubricant.

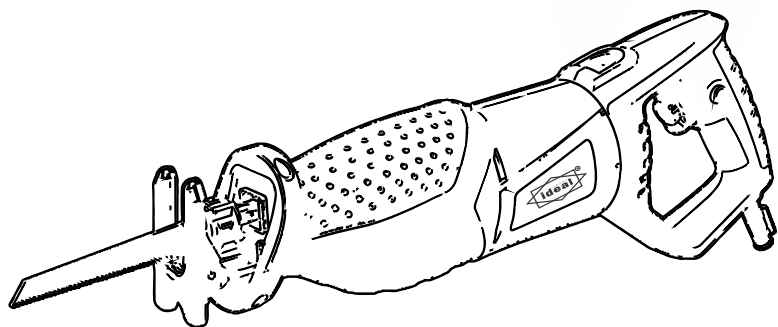
**WARNING:** Certain cleaning agents and solvents damage plastic parts. Some of these are: Petrol, carbon tetrachloride, chlorinated cleaning solvents, ammonia and household detergents that contain ammonia.



منشار ترددي

1100 وات

ID RS30



لتقليل خطر الإصابة، يجب على المستخدم قراءة دليل المشغل وفهمه قبل استخدام هذا المنتج.  
يرجى الاحتفاظ بهذه التعليمات للرجوع إليها مستقبلاً.

| Part No. | Part name                    | Qty |
|----------|------------------------------|-----|
| 1        | screw                        | 8   |
| 2        | spring washer                | 8   |
| 3        | gearbox upper cover          | 1   |
| 4        | screw                        | 23  |
| 5        | Oil-proof silicone strip     | 2   |
| 6        | reciprocating lever assembly | 1   |
| 7        | blade for wood               | 1   |
| 8        | sliding block plate          | 2   |
| 9        | sliding block                | 1   |
| 10       | silicone sleeve              | 1   |
| 11       | needle bearing               | 1   |
| 12       | gear pin                     | 1   |
| 13       | screw                        | 1   |
| 14       | spring washer                | 2   |
| 15       | main shaft flange            | 1   |
| 16       | big gear                     | 1   |
| 17       | needle bearing               | 2   |
| 18       | iron gasket                  | 2   |
| 19       | balance block                | 1   |
| 20       | screw                        | 4   |
| 21       | big gasket                   | 1   |
| 22       | front bracket                | 1   |
| 23       | gearbox lower cover          | 1   |
| 24       | front bracket gasket         | 1   |
| 25       | screw                        | 1   |
| 26       | rubber column                | 1   |
| 27       | shaft ring                   | 1   |
| 28       | ball bearing                 | 1   |
| 29       | rotor                        | 1   |
| 30       | copper brush holder          | 2   |
| 31       | carbon brush                 | 2   |
| 32       | ball bearing                 | 1   |
| 33       | stator                       | 1   |
| 34       | right housing                | 1   |
| 35       | label                        | 2   |
| 36       | right handle                 | 1   |
| 37       | left housing                 | 1   |
| 38       | left handle                  | 1   |
| 39       | push button                  | 1   |
| 40       | Push rod spring              | 1   |
| 41       | switch                       | 1   |

## المواصفات

|                              |                              |
|------------------------------|------------------------------|
| رقم الموديل:                 | ID RS30                      |
| الفولطية / التردد            | ٢٢٠-٢٤٠ فولت ~ ٥٠ هرتز       |
| الطاقة المقدرة               | ١١٠٠ واط                     |
| السرعة المقررة               | ٢,٨٠٠-٠ دورة في الدقيقة      |
| أداة الحركة                  | ٢٨ ملم                       |
| الحد الأقصى للقدرة على القطع | الخشب: ١١٥ مم، المعدن: ١٥ مم |

## قواعد السلامة العامة

السلامة هي مزيج من الحس السليم والبقاء في حالة تأهب ومعرفة كيفية عمل الغرض الخاص بك. **احتفظ بتعليمات**

السلامة هذه.

**تحذير:** لتجنب الأخطاء والإصابات الخطيرة، لا تقم بتوصيل أداتك بمصدر الطاقة الرئيسي حتى تتم قراءة الخطوات التالية وفهمها. تأكد دائماً من إزالة القابس من مقبس التيار الكهربائي خلال تغيير الشفرات أو التنظيف أو أداء مهام الصيانة.

١. اقرأ دليل التعليمات هذا بالكامل وتعرف عليه. تعرف على استخدامات الأداة وقبورها ومخاطرها المحتملة.

٢. تجنب الظروف الخطرة. لا تستخدم الأدوات الكهربائية في المناطق الرطبة أو المبللة أو تعرضها للمطر. حافظ على إضاءة مناطق العمل جيداً.

٣. لا تستخدم الأدوات الكهربائية في وجود سوائل أو غازات قابلة للاشتعال.

٤. حافظ دائماً على منطقة عملك نظيفة ومرتبطة ومضاءة جيداً. لا تعمل على الأسطح الأرضية الزلقة مع نشارة الخشب أو الشمع.

٥. اجعل المارة على مسافة آمنة من منطقة العمل، خاصة عندما تكون الأداة قيد التشغيل. لا تسمح أبداً للأطفال أو الحيوانات الأليفة بالقرب من الأداة وتخزينها دائماً بعيداً عن متناول الأطفال.

٦. لا تجبر الأداة على القيام بعمل لم يتم تصميمها من أجله.

٧. ارتدي ملابس السلامة. لا ترتدي ملابس فضفاضة أو قفازات أو أربطة عنق أو مجوهرات (خواتم أو ساعات أو ما إلى ذلك) عند تشغيل الأداة. يمكن أن تعلق الملابس والعناصر غير المناسبة في أجزاء متحركة وتجذب إليها.

ارتدي دائماً أحذية غير قابلة للانزلاق واربط شعرك الطويل.

٨. ارتدي قناع غبار معتمد من هيئة المواصفات والمقاييس للحماية من الغبار الناتج عن النشر.

**تحذير:** يمكن أن يكون الغبار الناتج عن مواد معينة خطيراً على صحتك. قم دائماً بتشغيل الماكينة في منطقة جيدة التهوية واحرص على إزالة الغبار بشكل مناسب. استخدم أنظمة جمع الغبار كلما أمكن ذلك.

٩. قم دائماً بإزالة قابس كابل الطاقة من مأخذ التيار الكهربائي عند إجراء التعديلات أو تغيير الأجزاء أو التنظيف أو العمل على الأداة.

١٠. ابق على عوامل الحماية في مكانهم وفي حالة جيدة.

١١. تجنب بدء التشغيل العرضي. تأكد من أن مفتاح الطاقة في وضع إيقاف التشغيل قبل توصيل كابل الطاقة.

١٢. قم بإزالة أدوات التعديل. تأكد دائماً من إزالة جميع أدوات الضبط من المنشار قبل تشغيله.

١٣. لا تترك أبداً أداة قيد التشغيل دون مراقبة. أدر مفتاح الطاقة إلى وضع إيقاف التشغيل. لا تترك الأداة حتى تتوقف تماماً.

١٤. لا تقف أبداً على الأداة. قد تنتج إصابة خطيرة في حال ارتطمت الأداة برأسها أو اصطدمت عن طريق الخطأ. لا تقم بتخزين أي شيء فوق الأداة أو بالقرب منها.

١٥. حافظ على توازنك، احرص على ثبات موطئ القدم والتوازن في جميع الأوقات. ارتدي أحذية مطاطية مقاومة للزيت. حافظ على الأرضية خالية من الزيت والخردة وغيرها من المخلفات.

١٦. حافظ على الأدوات بشكل صحيح. حافظ دائماً على الأدوات نظيفة وفي حالة عمل جيدة. اتبع تعليمات التشحيم وتغيير الملحقات.

١٧. تحقق من الأجزاء التالفة. تحقق من محاذاة الأجزاء المتحركة، أو التشويش، أو الكسر، أو التركيب غير السليم، أو أي ظروف أخرى قد تؤثر على تشغيل الأداة. يجب إصلاح أي جزء تالف أو استبداله بشكل صحيح قبل



الاستخدام.

١٨. اجعل الورشة آمنة للأطفال. استخدم الأقفال والمفاتيح الرئيسية وقم دائماً بإزالة مفاتيح بدء التشغيل.

١٩. لا تقم بتشغيل الأداة إذا كنت تحت تأثير المخدرات أو الكحول أو الأدوية التي قد تؤثر على قدرتك على استخدام الأداة بشكل صحيح.

٢٠. استخدم نظارات السلامة المعتمدة بعلامة المطابقة الأوروبية CE في جميع الأوقات خلال تشغيل الأداة. تحتوي نظارات السلامة العادية فقط على عدسات مقاومة للصدمات وليست مصممة للسلامة. ارتد قناع غبار معتمد من بعلامة المطابقة الأوروبية CE عند العمل في بيئة متربة. استخدم واقي الأذن المعتمد بعلامة المطابقة الأوروبية CE مثل السدادات أو الواقيات خلال فترات التشغيل الطويلة واريد قفازات معتمدة بعلامة المطابقة الأوروبية CE خاصة عند تغيير الشفرات.

**تحذير! يرجى قراءة جميع تحذيرات وإرشادات السلامة.** قد يؤدي عدم اتباع التحذيرات والتعليمات إلى حدوث صدمة

كهربائية و/أو حريق و/أو إصابة خطيرة.

**احتفظ بجميع التحذيرات والتعليمات لاستخدامها كمرجع في المستقبل.** يشير مصطلح "الأداة الكهربائية" في التحذيرات إلى الأداة الكهربائية التي تعمل بالتيار الكهربائي (السلكي) أو الأداة الكهربائية التي تعمل بالبطارية (اللاسلكية).

## ١. مكان العمل

(أ) حافظ على مكان عملك نظيفاً ومرتباً. يمكن أن تتسبب أماكن العمل الفوضوية و/أو سيئة الإضاءة في وقوع حوادث.

(ب) لا تقم بتشغيل الأداة الكهربائية في البيئات القابلة للانفجار حيث توجد سوائل أو أبخرة أو غبار قابل للاشتعال. تنتج الأدوات الكهربائية شرارات يمكن أن تشعل الغبار أو الأبخرة.

(ج) قد تؤدي الانحرافات إلى فقدان السيطرة على الأداة الكهربائية.

(د) الاهتمام بالتأثيرات البيئية.

(هـ) تأكد من إضاءة مكان عملك بشكل جيد.

## ٢. السلامة الكهربائية

(أ) يجب أن يتناسب قابس التيار الكهربائي مع المقبس. لا يجوز تعديل القابس بأي شكل من الأشكال. لا تستخدم المحولات

مع المعدات المؤرضة. تقلل المقابس غير المعدلة والمقابس المناسبة من خطر حدوث صدمة كهربائية.

(ب) تجنّب ملامسة الأجسام المؤرضة (مثل الأنايبب وأجهزة التدفئة والأفران والثلاجات). يزداد خطر التعرض لصدمة كهربائية عندما يكون جسمك مؤرضاً.

(ج) احتفظ بالأداة الكهربائية بعيداً عن البيئات الممطرة والرطبة. يزيد الماء في الأداة الكهربائية من خطر حدوث صدمة كهربائية.

(د) لا تستخدم كابل التيار الكهربائي لأغراض غير مخصصة له، مثل حمل الأداة الكهربائية أو تعليقها ولا تسحب الكابل لفصل الأداة أو الشاحن عن التيار الكهربائي. احم الكابل من الحرارة والزيت والحواف الحادة والأجزاء المتحركة. تزيد الكابلات التالفة أو الملتهبة من خطر التعرض لصدمة كهربائية. يجب استبدال كابلات التيار الكهربائي التالفة باستخدام قطع غيار أصلية متوفرة من الشركة المصنعة أو من مركز خدمة معتمد. لا يجوز استبدال كابلات التيار الكهربائي إلا من قبل الشركة المصنعة أو مركز خدمة معتمد أو شخص مؤهل.

(هـ) افحص كابلات التمديد بانتظام بحثاً عن علامات التلف. يجب استبدال كابلات التمديد التالفة. يجب استخدام بكرات الكابلات فقط عند فكها بالكامل.

## رسالة السلامة

سلامتك وسلامة الآخرين مهمة جداً. لقد قدمنا رسائل سلامة مهمة في هذا الدليل وعلى الأداة الكهربائية. يرجى قراءة هذه الرسائل بعناية.

## معلومات هامة للسلامة

يرجى قراءة هذه التعليمات بعناية قبل استخدام هذه الأداة الكهربائية. احتفظ بهذا الدليل في مكان آمن للرجوع إليه في المستقبل.

## السلامة الشخصية

كن منتبهاً وركز في العمل واستخدم الحس السليم عند العمل باستخدام الأدوات الكهربائية. لا تقم بتشغيل الأداة الكهربائية عندما تكون متعباً أو تحت تأثير المخدرات أو الكحول أو الأدوية. يمكن أن تؤدي لحظة إهمال عند استخدام الأداة الكهربائية إلى إصابة خطيرة.

ارتد معدات الحماية الشخصية واستخدم نظارات السلامة دائماً. يقلل ارتداء معدات الحماية الشخصية المناسبة لنوع الأداة

حافظ على الماكينة الكهربائية بعناية. تأكد من أن الأجزاء المتحركة تعمل بشكل صحيح ولا تلتصق. تحقق مما إذا كانت الأجزاء مكسورة أو تالفة بشكل كبير لدرجة أن وظائف الأداة الكهربائية معطلة. إصلاح الأجزاء التالفة قبل تشغيل الأداة الكهربائية. تقع العديد من الحوادث بسبب سوء صيانة الأدوات الكهربائية.

حافظ على نظافة أدوات القطع وحدتها. أدوات القطع التي يتم صيانتها بشكل صحيح ذات الحواف الحادة أقل عرضة للالتصاق وأسهل في الاستخدام.

#### الخدمات

قم بإصلاح الأداة الكهربائية بواسطة موظفين مؤهلين. تأكد من استخدام قطع الغيار الأصلية. يضمن ذلك استمرار التشغيل الآمن للأداة الكهربائية.

#### تعليمات السلامة الإضافية

تنبيه: يمكن أن يؤدي استخدام الملحقات أو المرفقات بخلاف تلك الموصى بها في هذا الدليل إلى الإصابة.

الحفاظ على جميع الأدوات الكهربائية الواقية في حالة عمل جيدة. لا تقم بإزالة الأدوات الكهربائية الواقية.

الضوضاء يوصى بارتداء واقى الأذن عند تشغيل الأدوات الكهربائية التي تعمل بمحرك.

د) يجب أن تكون منافذ التيار الكهربائي الخارجية، وفقاً للوائحنا، مزودة بأداة طاقة تعمل بالتيار المتبقي (أر سي دي). يرجى ملاحظة ذلك عند تشغيل أدواتنا الكهربائية.

هـ) يجب استبدال الأجزاء التالفة أو آليات السلامة أو إصلاحها بواسطة ورشة معتمدة، إذا لم يتم ذكرها بشكل مختلف في تعليمات التشغيل.

### قواعد محددة للمناشير الترددية

تحذير: لا تقم بتشغيل هذه الأداة حتى يتم تجميعها بالكامل وفقاً للتعليمات.

١. انتظر حتى يتوقف الشفرة قبل ضبط الماكينة لأسفل. يؤدي تعرض القاطع الدوار للسطح الى احتمال فقدان التحكم مما قد ينشأ عنه إصابات خطيرة.

٢. امسك الأداة الكهربائية عن طريق أسطح الإمساك المعزولة فقط في حالة تلامس القاطع مع الكابل الخاص به. قد يؤدي قطع السلك "النشط" إلى جعل الأجزاء المعدنية المكشوفة من الأداة "نشطة" وقد يتسبب في إصابة المشغل

بصدمة كهربائية.

٣. تثبت قطعة العمل على منصة ثابتة باستخدام المثبتات أو أي طريقة عملية أخرى. إن إمساك العمل باليد أو على الجسم يجعله غير مستقر وقد يؤدي إلى فقدان السيطرة.

٤. قم بتأمين المادة التي يتم قطعها. لا تمسكها أبداً في يدك أو عبر ساقيك. يجب تأمين قطع العمل الصغيرة بشكل مناسب. يتسبب الدعم غير المستقر في ربط الشفرات، مما يؤدي إلى فقدان السيطرة والإصابة المحتملة.

٥. قم دائماً بتشغيل المنشار قبل أن تتلامس الشفرة مع قطعة العمل. دع الشفرة تصل إلى السرعة الكاملة قبل استخدام الأداة. يمكن أن يهتز المنشار أو يترنث وربما يرتد إذا كانت سرعة القطع بطيئة للغاية.

٦. افحص قطعة العمل بحثاً عن المسامير. إذا كانت هناك مسامير، فقم بإزالتها. إذا اصطدمت شفرات المنشار بأشياء مثل المسامير، فقد يتسبب ذلك في إصابة شخصية خطيرة من الارتداد.

٧. افصل المنشار قبل تغيير الملحقات. قد تحدث عمليات بدء التشغيل العرضية إذا تم توصيل المنشار خلال تغيير الملحقات. قبل توصيل الأداة مرة أخرى، تحقق من إيقاف تشغيل قفل الزر.

٨. حافظ على المقابض واليدين جافة ونظيفة وخالية من الزيوت والشحوم. لا يمكن للأسطح الزلقة الحفاظ على التحكم في الأداة الكهربائية بأمان. امسك الأداة دائماً بإحكام بكلتا يديك للحصول على أقصى قدر من التحكم.

٩. لا تقطع أبداً الخزانات المضغوطة أو أي حاويات تحتوي على مواد خطرة أو قابلة للاشتعال.

١٠. لا تسحب المنشار أبداً للخلف فوق قطعة العمل.

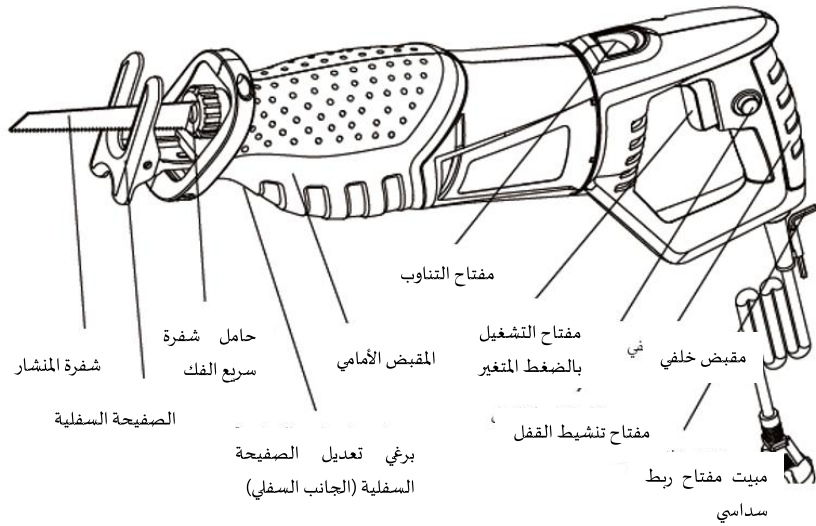
١١. عند النشر، يجب أن يظل لوح القدم القابل للتعديل دائماً متدفقاً مقابل قطعة العمل. لا تقم أبداً بإزالة الشفرة من قطعة العمل حتى تتوقف تماماً. يعد أخذ الأداة بعيداً عن قطعة العمل مع استمرار حركة الشفرة أمراً خطيراً ويمكن أن يؤدي إلى إصابة لأن الشفرة قد تتحطم إذا اصطدمت بقطعة العمل. انتظر دائماً حتى يتوقف الشفرة تماماً قبل إزالتها من قطعة العمل.

١٢. قم بإزالة القابس من مصدر الطاقة قبل إزالة الحطام. الشفرات مخفية عن الأنظار وقد تتعرض للقطع إذا تم ملامسة الشفرة.

١٣. ارتد دائماً معدات الوقاية الشخصية المناسبة المعتمدة بعلامة المطابقة الأوروبية CE.

مرخص التحقق من المنفذ.

## تعرف على المنشار الترددي الخاص بك

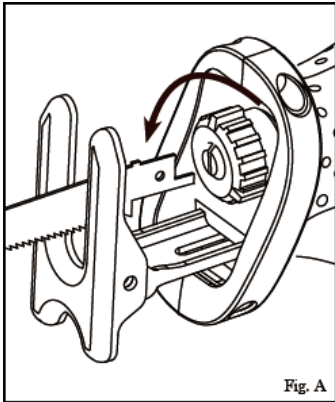


### التركيب

تحذير! لا تقم أبدًا بإجراء أي تعديلات أو تركيب أي شفرات خلال توصيل الجهاز بالكهرباء. تأكد من خلو شفرات المنشار من الحطام. استخدم قفازات واقية معتمدة بعلامة المطابقة الأوروبية CE خلال التشغيل والتجميع.

استبدال / تركيب شفرات المنشار

١. اختر شفرة منشار ذات ساق عام. إذا كانت هناك حاجة إلى قطع منحنيات ضيقة، يُفضل استخدام شفرة أرفع. يجب ألا تكون شفرات المنشار أطول مما هو مطلوب للقطع المقصود.
٢. قم بلف حامل الشفرة سريع الفك في الاتجاه الموضح في الشكل أ لفتح الفك وإتاحة المجال لتمرير الشفرة.



٣. ضع ساق النصل في الفك في أقصى حد ممكن. فك حامل الشفرة، مما يسمح له بالعودة إلى موضعه.
٤. تحقق من أمان الشفرة عن طريق السحب برفق للتأكد من تثبيتها في موضعها.
٥. إذا كنت تقوم بتغيير شفرة المنشار، فتأكد دائمًا من تبريدها تمامًا قبل محاولة إزالتها. يمكن أن يتسبب الاحتكاك من مواد قطعة العمل المختلفة في ارتفاع درجة حرارة الشفرات مباشرة بعد التشغيل. لإزالة الشفرة، قم بلف حامل الشفرة في الاتجاه الموضح في الشكل أ وحرك الشفرة بعناية خارج الماكينة.

١٤. من المحتمل أن تصطدم الشفرات المفكوكة أو غير المحاذية بمبييت الأداة وتتلف الأداة وتتسبب في إصابة محتملة.

تأكد من تركيب الشفرات بشكل صحيح قبل التشغيل.

١٥. ضع جدول صيانة دوري لأدواتك. عند تنظيف الألة، احرص على عدم تفكيك أي جزء منها. قد تكون الأسلاك

الداخلية في غير مكانها أو مضغوطة في غير مكانها وقد تكون نوابض عودة واقية الأمان مركبة بشكل غير صحيح.

١٦. قد تتسبب بعض مواد التنظيف مثل البنزين ورابع كلوريد الكربون والأمونيا وغيرها في تلف الأجزاء البلاستيكية.

١٧. استخدم فقط شفرات المنشار غير التالفة. إذا ظهر الكثير من البلى على الشفرة، احصل على شفرة جديدة قبل محاولة قطع أي شيء.

١٨. لا توقف شفرة المنشار أبدًا عن طريق قرص الشفرة على أي من الجانبين. قد يؤدي الضغط على أي من جانبي

الشفرة إلى حدوث إصابة. لا تلمس شفرة المنشار بعد التشغيل، فقد تكون ساخنة، خاصة عند قطع المعدن.

## المعلومات الكهربائية

### تعليمات التأريض

في حالة حدوث خلل أو تعطل، يوفر التأريض المسار الأقل مقاومة للتيار الكهربائي ويقلل من خطر حدوث صدمة

كهربائية. تم تجهيز هذه الأداة بكابلات كهربائية يحتوي على موصل تأريض للمعدات وقابس تأريض. يجب أن يتم توصيل

القباس بمقبس مطابق ومركب بشكل صحيح ومؤرض وفقًا لجميع القوانين واللوائح المحلية.

لا تقم بتعديل القابس المرفق. إذا لم يكن مناسبًا للمنفذ، فقم بتركيب المنفذ المناسب بواسطة كهربائي مرخص.

قد يؤدي التوصيل الخاطئ لموصل تأريض المعدات إلى حدوث صدمة كهربائية. الموصل ذو العزل الأخضر (بخطوط

صفراء أو بدونها) هو موصل تأريض المعدات. إذا كان إصلاح أو استبدال الكابلات الكهربائي أو القابس ضروريًا، فلا تقم

بتوصيل موصل تأريض المعدات بطرف مباشر.

استشر كهربائيًا مرخصًا أو ورشة عمل معتمدة، اتصل بـ UKHS.tv على 03301230001 إذا لم تفهم تعليمات

التأريض تمامًا.

تنبيه: في جميع الحالات، تأكد من تأريض المنفذ المعني بشكل صحيح. إذا لم تكن متأكدًا، فاطلب من كهربائي

## التشغيل

تحذير: يمكن أن يكون الغبار الناتج عن مواد معينة ضارًا بصحة الجهاز التنفسي. استخدم هذه الأداة دائمًا في منطقة ذات تهوية جيدة. ارتد قناع غبار معتمد بعلامة المطابقة الأوروبية CE خلال التشغيل لمنع استنشاق الجسيمات غير المرغوب فيها. منع تراكم الغبار، حيث يمكن أن تشتعل أكوام الغبار والحطام بسهولة وتتسبب في نشوب حريق.

### ضبط الصفيحة السفلية

1. قم بفك برغي ضبط صفيحة القدم الموجود في الجزء السفلي من المنشار باستخدام مفتاح الربط السداسي المدمج.
2. بمجرد فك البرغي، ضع الصفيحة السفلية لتلبية احتياجات قطعة العمل الخاصة بك.
3. أعد ربط برغي ضبط الصفيحة السفلية، مع التأكد من أن الصفيحة السفلية لم تعد حرة في الحركة.

### بدء تشغيل الألة

لبدء تشغيل الألة، تأكد أولاً من تركيب الشفرة بشكل صحيح. بعد فحص الشفرة، قم بتوصيل الجهاز بمصدر طاقة. اسحب مفتاح البدء لتشغيل الألة. ضع دائماً يداً على المقبض الخلفي وبدأ على الجسم المعزول خلال التشغيل، مع التأكد من عدم ملامسة جميع أجزاء الجسم والكابلات. إذا كنت ترغب في إبقاء المنشار قيد التشغيل دون الحاجة إلى الضغط باستمرار على الزناد، فاضغط على مفتاح القفل خلال تشغيل المنشار.

يبقي هذا مفتاح التشغيل معشقاً حتى تضغط عليه مرة أخرى لتحريره.

### مفتاح التشغيل بالضغط المتغير

تحكم في حركة المنشار في الدقيقة الواحدة عن طريق تغيير مقدار الضغط المطبق على مفتاح التشغيل. سيؤدي الضغط على مفتاح التشغيل لأسفل إلى أقصى سرعة. سيؤدي الضغط الأخف على مفتاح التشغيل/الإيقاف إلى انخفاض السرعة.

### نصائح العمل

**ملحوظة:** عند نشر المواد الأخف وزناً، تأكد من مراعاة توصيات موردي المواد.

افحص جميع قطع العمل بحثاً عن أجسام غريبة مثل المسامير أو البراغي قبل النشر. اضبط الصفيحة السفلية لتلبية

الخصوصيات الخاصة لقطعة العمل الموجودة في متناول اليد.

بمجرد الانتهاء من جميع عمليات الإعداد، قم بتشغيل الألة وتوجيهها نحو قطعة العمل. ضع اللوحة الأمامية على السطح وشاهد من خلال المادة عن طريق الضغط المنتظم. لا تجبر المنشار على القيام بعمل لم يكن مخصصاً له. تأكد من أن المنشار يعمل بالسرعة التي تناسبه.

في حالة انحشار شفرة المنشار، قم بإيقاف تشغيل الألة على الفور واترك الشفرة تتوقف تماماً. أفصل الألة. قم بتوسيع الفجوة باستخدام أداة مناسبة وقم بفك شفرة المنشار من انحشارها.

عند نشر المعدن، احرص دائماً على استخدام سائل تبريد أو مادة تشحيم لمنع تسخين المادة أكثر من اللازم.

عمليات القطع بالدق المفاجئ باستخدام شفرات منشار ثنائية المعدن مرنة، يمكنك قطع الأغراض التي لا تزال مثبتة بشكل متدفق على الحائط. ضع شفرة المنشار مباشرة على الحائط وقم بالضغط الجانبي حتى تواجه الصفيحة السفلية الحائط. قم بتشغيل الألة وشاهد من خلال قطعة العمل.

عمليات القطع بزواوية الطي استخدم دائماً شفرات المنشار القصيرة للقطع بزواوية القطع لمنع الإصابة وتحقيق أقصى قدر من الكفاءة. ضع الألة مع حافة الصفيحة السفلية على قطعة العمل. قم بتشغيل الماكينة إلى الحد الأقصى لإدارة طاقة النظام. اضغط الشفرة بإحكام على قطعة العمل، مما يسمح للشفرة بالقطع بالوتيرة الخاصة بها، وتغمر نفسها في قطعة العمل. بمجرد أن تتمكن القاعدة من وضع تدفق على قطعة العمل، قم بالمنشار على طول الخط المطلوب.

## الصيانة

تحذير: لتجنب الحوادث، افصل الألة دائماً عن مصدر الطاقة قبل التنظيف أو إجراء أي صيانة. يمكن تنظيف الأداة بشكل أكثر فعالية بالهواء الجاف المضغوط. ارتد دائماً نظارات واقية معتمدة بعلامة المطابقة الأوروبية CE عند تنظيف الأدوات بالهواء المضغوط.

قم بتنظيف حامل نصل المنشار بانتظام باستخدام هواء مضغوط أو فرشاة. قم بإزالة نصل المنشار من الأداة الكهربائية قبل تنظيف حامل النصل.

**الخدمة:** قد تؤدي الصيانة الوقائية التي يقوم بها موظفون غير مصرح لهم إلى وضع الأسلاك والمكونات الداخلية في غير مكانها، مما قد يتسبب في خطر جسيم.

**تشحيم الأدوات:** للتشغيل السليم، تأكد من وضع مادة تشحيم مناسبة بشكل روتيني.

**تحذير:** تتسبب بعض مواد التنظيف والمذيبات في تلف الأجزاء البلاستيكية. وفيما يلي بعض منها: البنزين، ورابع كلوريد الكربون، ومذيبات التنظيف المكلورة، والأمونيا والمنظفات المنزلية التي تحتوي على الأمونيا.